

TOP MOUNTED LEVEL SWITCH

ALL SS WITH ADJUSTABLE SET POINTS



MODEL CODE : ELL

SPECIAL FEATURES

- FIELD ADJUSTABLE SET POINT
- EASY INSTALLATION
- ALL STAINLESS STEEL
- RUGGED CONSTRUCTION

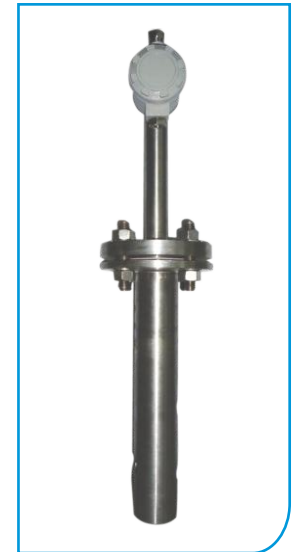
APPLICATIONS

- STORAGE TANK
- CHEMICAL PROCESSING TANK
- PUMP CONTROL

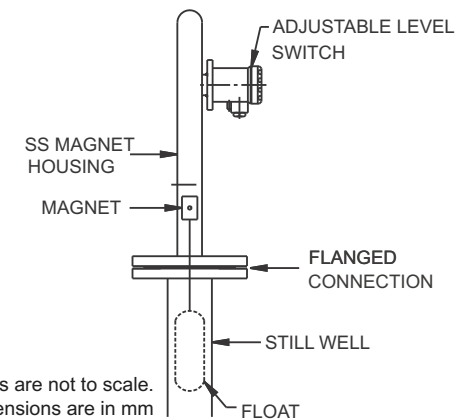
SPECIFICATIONS

STANDARD VERSION :

Max Operating Pressure	: 10 kg/cm ²
Max Working Temperature	: 150°C
Material of Still Well & Magnet Housing	: AISI 316 SS
Material of Guide	: AISI 316 SS
Material of Float	: AISI 316 SS
Length of Probe	: 200 mm to 3000 mm
Minimum Specific Gravity	: 0.75
Flange Size	: 2" ANSI 150 #RF
Switch	: 1 SPDT
Switch Points	: Up to 4, adjustable throughout the length
Switch Rating	: 5 Amp, 250 VAC
Switch Differential	: ≤ 25 mm
Cable Gland	: ½" BSP (F) Conduit



DIMENSIONS - STANDARD VERSION :



HOW TO ORDER

BASIC MODEL

MATERIAL OF CONNECTION

C Carbon Steel (Standard) **S** AISI 304 SS **T** AISI 316 SS

PROCESS CONNECTION

Flanged Connections (As per ANSI B 16.5)

B39 2" 150# RF (Standard) **B51** 3" 150# RF
B40 2" 300# RF **B52** 3" 300# RF
B41 2" 600# RF **B53** 3" 600# RF

PROBE LENGTH (L)

Please specify in mm between 200 to 3000 mm

NUMBER OF SWITCHES

1 ONE **2** TWO **3** THREE **4** FOUR

TYPE OF SWITCH

A SPST (REED SWITCH, IN GENERAL PURPOSE HOUSING) **C** SPDT (MICRO SWITCH, IN EX-PROOF HOUSING)
B SPDT (MICRO SWITCH, IN IP65 HOUSING)

SWITCHING MODES

L1 **L2** **L3** **L4**
(Example: L1= NO or NC, L2 = NO or NC, L3 = NO or NC & L4 = NO or NC)
Please specify whether NO or NC against the respective switching points

Ordering Example: ELL - T - B39 - 300 mm - 4 - A - L1=NO - L2=NC - L3=NO - L4=NC

Note : Specifications and dimensions given in this product catalogue represents the state of engineering at the time of printing.

Modifications may take place and materials specified may be replaced by others without prior notice.

Example
ELL
T
B39
300 MM
4
A
L1 = NO
L2 = NC
L3 = NO
L4 = NC

LEVEL SWITCHES